

SLANEY 600x600

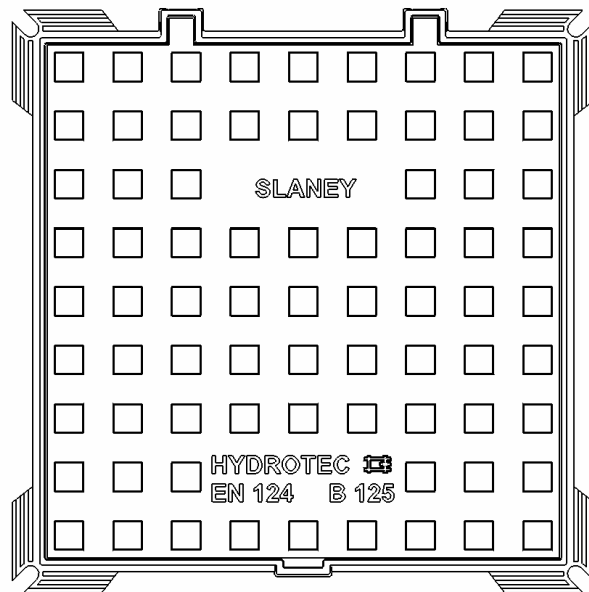
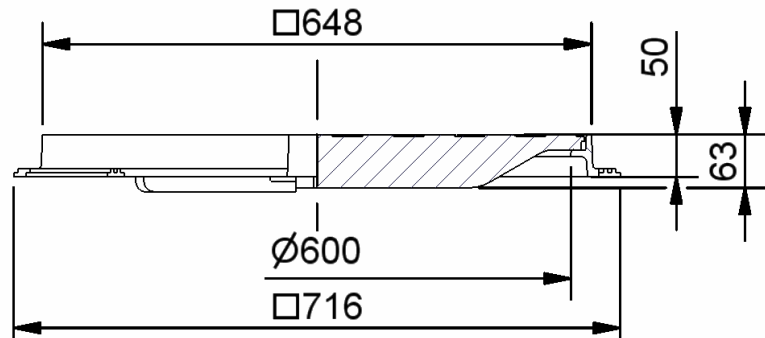
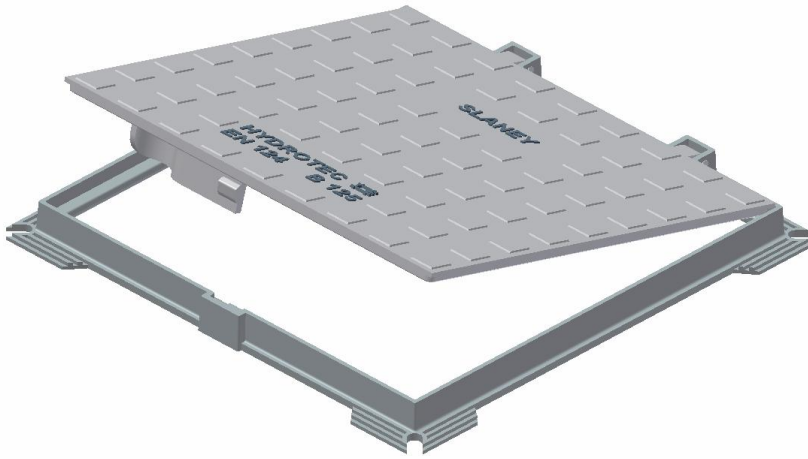


ISO 9001-2000

Norm
Standard
EN124



Klasse
Class
B 125



Sistem inchidere

- inchidere tip "click elastic"
- inchidere automata

Balama

- 110° pozitie inspectie
- legatura fixa intre capac si rama
- protectie antifurt

Rama

- garbitura plata
- rama tip flansa cu nervuri pentru fixare

Änderungen vorbehalten! / subject to alterations in measurement and design!

Referenz
Reference

892 487

Klasse
Class

B 125

Material
Material

EN-GJS-500-7

Gewicht
Weight

ca. 40 kg